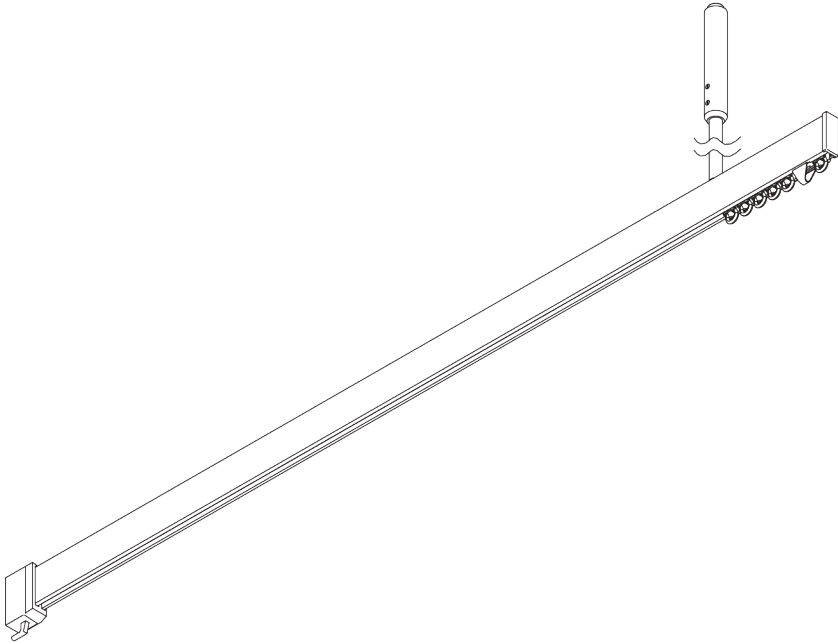
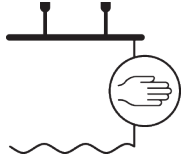


SG 1085



PRODUCT INFORMATION

- **Operation:** hand
- **Range:** S - M
- **Fitting:** suspended, wall
- **Colours:** white RAL 9016 or anodised aluminum, special colours possible
- **Fabrics:** refer to Silent Gliss fabric collection

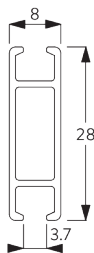
Features:

- Bendable
- Suspended

SYSTEM SPECIFICATIONS

A. PROFILE

Profile and bending information

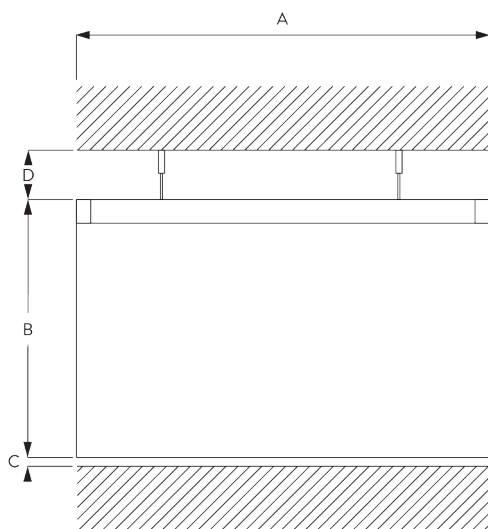


SG 1085p

Profile

✓ Radius:
20 cm, >28 cm

B. HOW TO MEASURE



A: System width

B: System height

C: Distance between floor and fabric

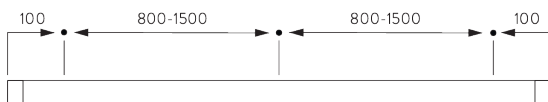
D: Distance between ceiling and system

FITTING

A. FITTING INFORMATION

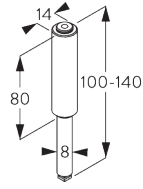
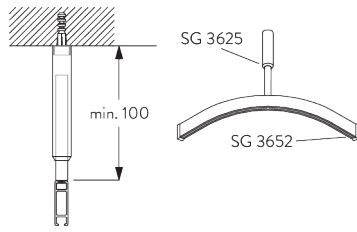
Fixing points

For detailed fitting information, visit the [Silent Gliss website](#).

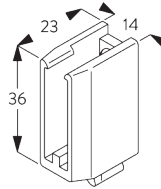


B. CEILING FITTING

Hanger SG 3625



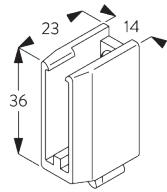
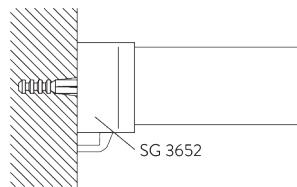
SG 3625
Hanger



SG 3652
Wall support

C. WALL FITTING

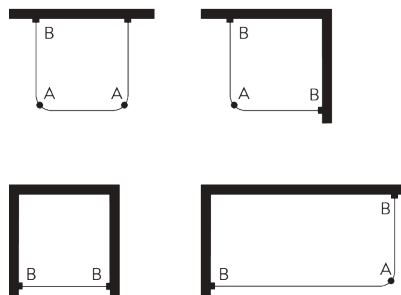
Wall support SG 3652



SG 3652
Wall support

SYSTEM OPTIONS






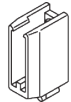
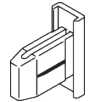
A. LAYOUT OPTIONS







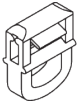

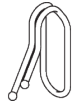
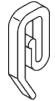



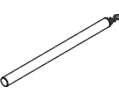


A: Hanger rod SG 3625
B: Wall support SG 3652

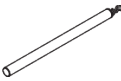
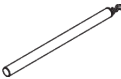
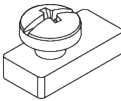
PARTS

A. STANDARD PARTS

	SG 1085p Profile
	SG 3070 End stop
	SG 3085 Spring stop
	SG 3533 Glider
	SG 3625 Hanger
	SG 3652 Wall support
	SG 3656 End cover

B. OPTIONAL PARTS

	SG 3089 Glider with hook
	SG 3534 Glider 3533 on strip
	SG 3535 Glider
	SG 3537 Glider
	SG 3548 Glider
	SG 3549 Click glider with hook
	SG 3581 Hook
	SG 3582 Hook
	SG 3598 Eyelet
	SG 3599 Hook
	SG 6146 Hook
	SG 10430 Draw rod 50 cm
	SG 10431 Draw rod 75 cm
	SG 10432 Draw rod 100 cm

	SG 10433 Draw rod 125 cm
	SG 10434 Draw rod 150 cm
	SG 11335 End stop